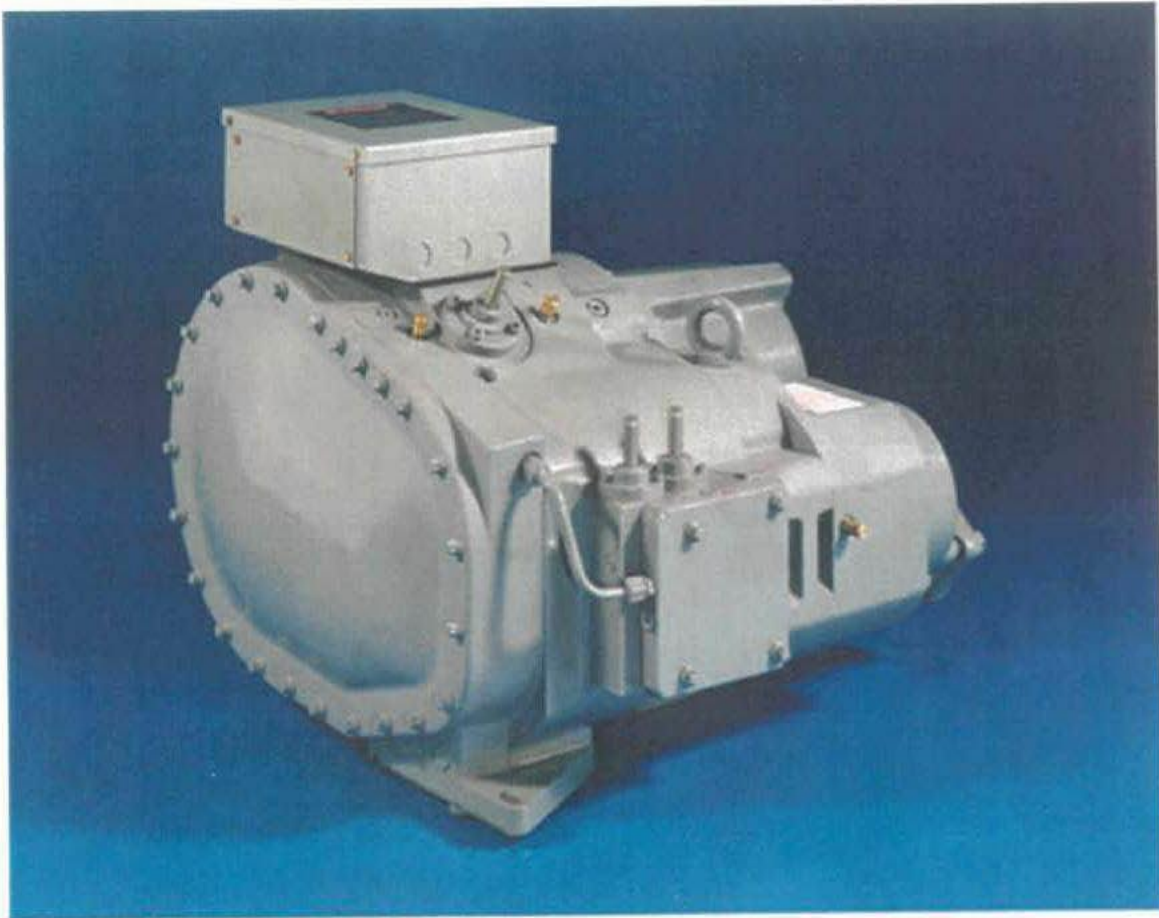


# GTS104 Compressor Application Guide

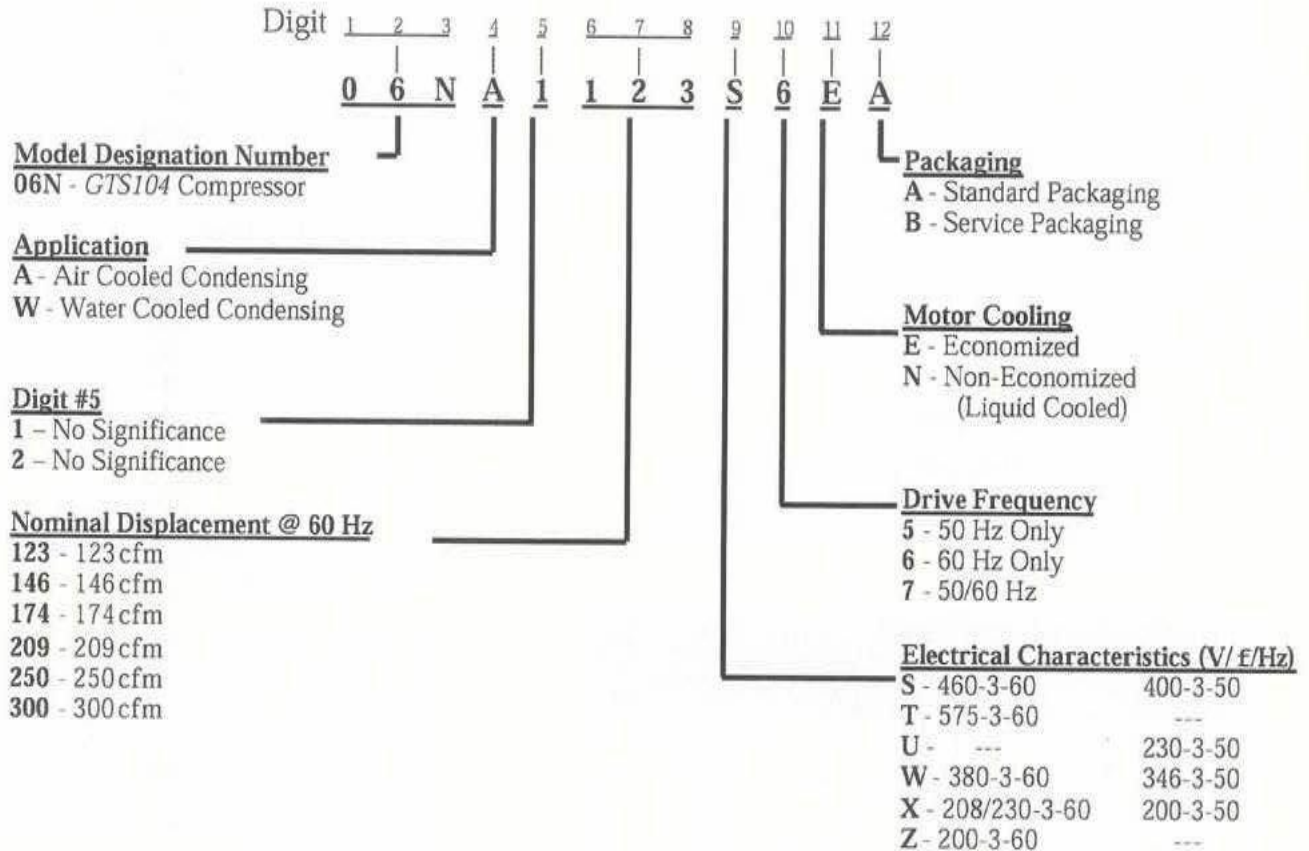


 Carlyle

### 1.3.8 Reversible Terminal Box

The terminal box on the *GTS104* compressor is 180° reversible. This allows the power wiring to enter the box from either over the gear cover or over the motor casing. The compressor certified drawings show the standard orientation of the box.

## 1.4 Model Number Significance Chart



See Section 10.2 for valid model number configurations.

## 2. Refrigerants and Lubricants

---

### 2.1. Approved Refrigerants

The *GTS104* screw compressor is specifically designed for use in R-134a systems only.

### 2.2. Approved Lubricants

The *GTS104* screw compressor is approved for use with the following lubricants:

Carrier Material Spec	PP47-32
Approved Lubricant	Castrol SW220
Viscosity Grade	ISO 220
Carrier RCD Part #	
1 gallon	P903-1201
5 gallon	P903-1205

On occasion it may be necessary to use an assembly grease to retain an o-ring within its groove. The *GTS104* screw compressor is approved for use with the following assembly grease:

Carrier Material Spec	PP80-29
Approved Lubricant	Castrol Synplex GP2

## 3. Environmental and Installation Considerations

---

### 3.1 Operating Ambient

The screw compressor is designed to operate in the following ambient temperature ranges:

Non-Operating     -40°C (-40.0°F) to 82°C (180°F)

Operating         -32°C (-25.6°F) to 55°C (131°F)

### 3.2. Salt-Spray Requirements

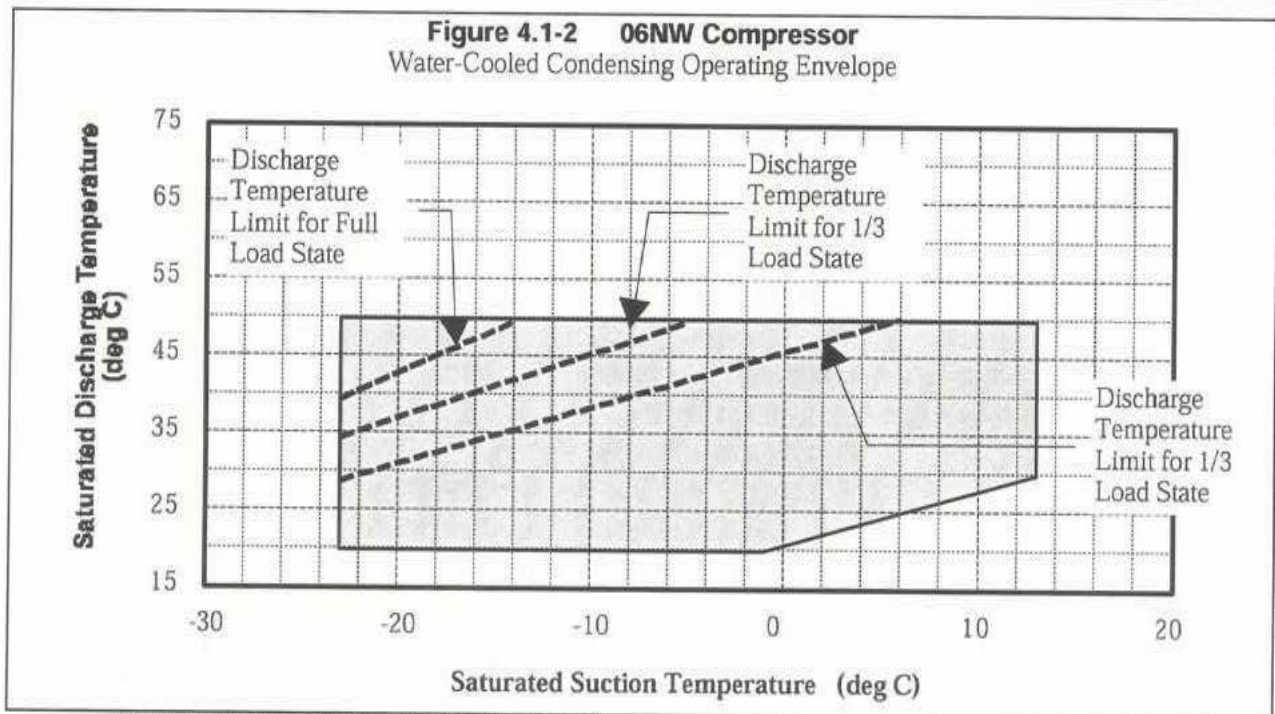
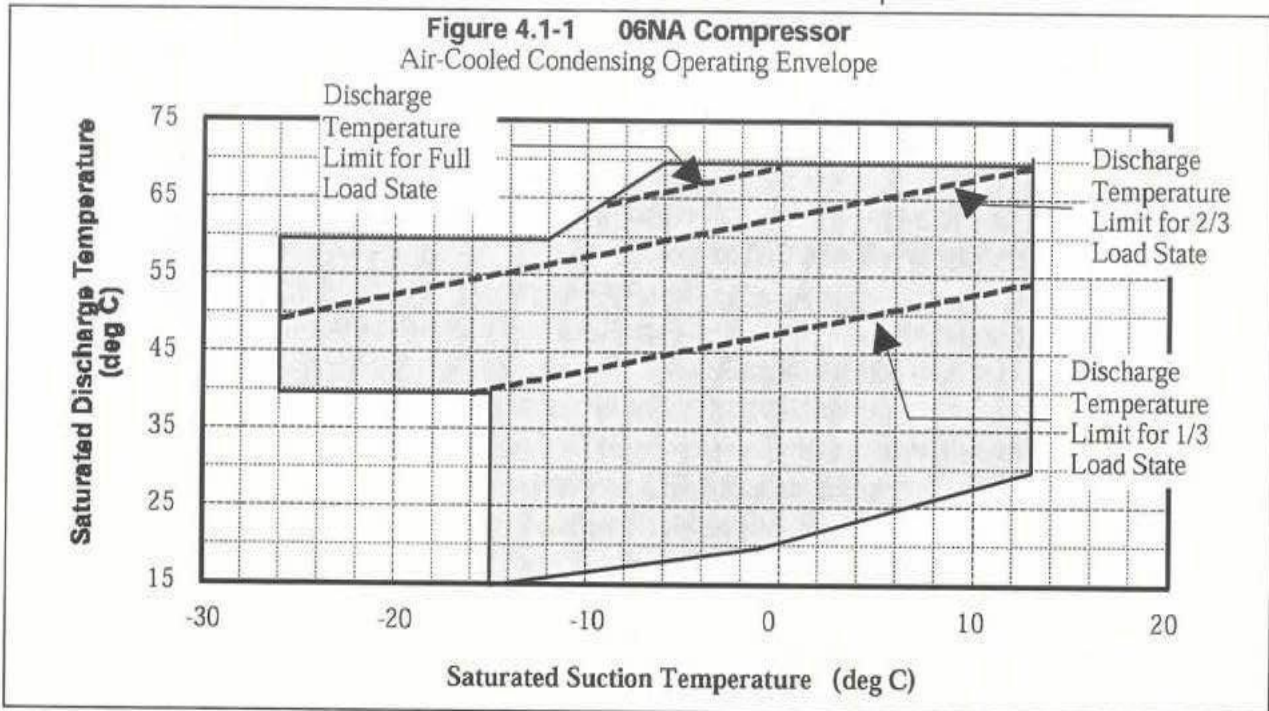
The compressor and its accessories have been tested through 500 hours of salt-spray in compliance with ASTM specification B-117, (Carrier Engineering Requirement R-203).

## 4. Operating Limits & Controls

### 4.1 Operating Envelope

The following R-134a operating envelopes, Figures 4.1-1 and 4.1-2, show where the compressor can be operated in both direct

expansion and flooded applications. The envelopes differ for the unique design configuration of the compressor. The fourth digit of the model number dictates the operating envelope.



Pressure limits are described in Section 8.



<p>Manufacturer reserves the right to discontinue, or change at any time, specifications or designs without notice and without incurring obligations.</p>	<p>Carlyle Compressor Company © Carrier Corporation 10/99 P.O. Box 4803, Syracuse, NY 13221 Phone: In US &amp; Mexico 1-800-GO-CARLYLE In Canada &amp; Puerto Rico 1-800-258-1123</p>	<p>Lit. No. 574-076 <b>GTS104 Compressor Application Guide</b> Revision 3.3</p>
---	---	---